

Westfield Select IP67 7W2 D-Sub Male Right Angle PCB Mount Panel Mount Connector

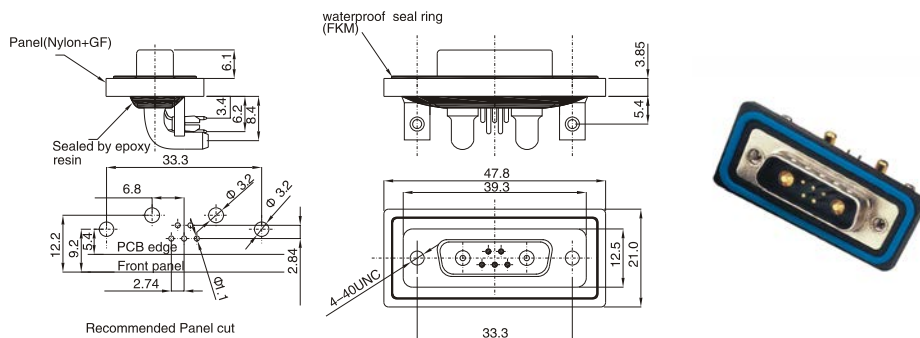
IP67 7W2 D-Sub Male Right Angle PCB Mount Panel Mount

Machined / Turned Pin

Plating: Gold Flash
Other Options Available

Locking via 440unc Screws

Contact for other Custom Products



■ General information

Ambient temperature:	-20 °C ~ + 70 °C	Insulation resistance:	≥ 1000MΩ
Connector insert:	PBT+GF	Contact resistance :	≤ 10mΩ
Connector contacts:	Brass with gold plated	Shielding:	Unavailable
Coupling nut/screw:	Brass with nickel plated	Mating cycles:	>1000
Seal / O-ring:	FKM	IP rating:	IP67 in locked condition

Part Numbers
 IP67-7W2MRAWMB-A (With Mount Brackets)
 IP67-7W2MRANMB-A (No Mount Brackets)

■ Electrical data & Mechanical data

Contacts	Contacts	Rated current	Voltage	
			A/C	D/C
<p style="text-align: center;">7W2</p>	PCB version	(PinA1&A2)30A	300V	300V
	PCB version	(Pin1~5)5A	300V	300V

■ Remarks

For Other Gold Plating Options / Mating Cycles

Please Contact Sales Office

Please Contact us if you need other Products / Custom Products