

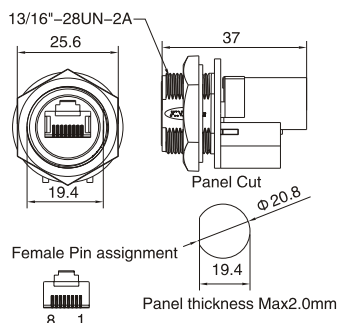
Westfield Select Cables IP67 RJ45 Female to Female Front Panel Mount

IP67 RJ45 Female Panel Mount Female to Female

This Adapter Mates with our IP67 RJ45 Male Cable Assembly - see Page 10
Part Number: IP67RJ45MC-X-YYYY

Separate IP67 Protection Cap available

See P/N: IP67PROCAP-PCN13/16



General information

| | |
|----------------------|----------------------------------|
| Ambient temperature: | -20 °C ~ + 80 °C |
| Connector insert: | PBT+GF |
| Connector contacts: | Phosphor bronze with gold plated |
| Coupling nut/screw: | PA+GF |
| Seal / O-ring: | FKM |

| | |
|------------------------|---------------------------|
| Insulation resistance: | ≥ 100MΩ |
| Forward resistance : | ≤ 30mΩ |
| Shielding: | Available |
| IP rating: | IP 67 in locked condition |

Westfield Part Number: IP67RJ45F-FFPM-X

X=S Shielded X=N Non Shielded

Electrical data & Mechanical data

| Contacts | Rated current | Voltage | |
|------------------|---------------|---------|------|
| | | A/C | D/C |
| RJ45 8P8C female | 1.5A | 125V | 125V |

Remarks

Separate IP67 Protection Cap available P/N: IP67PROCAP-PCN13/16